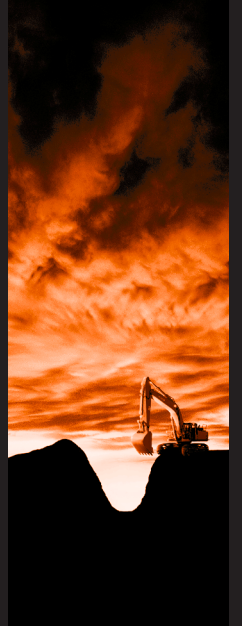
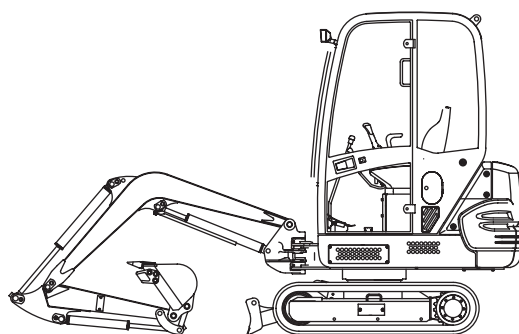


HITACHI ZAXIS25

engine rated power
13.7 kW / 18.4 HP

operating weight
2 450 kg (canopy)
2 520 kg (cabin)

bucket capacity
0.04 - 0.085 m³



HITACHI

Engine

Model	Isuzu 3YB1
Type	Water-cooled, 4-cycle, 3-cylinder swirl chamber type diesel engine
Rated flywheel power	13.6 kW (18.5 PS)
DIN 6271, net	at 2 200 min ⁻¹ (rpm)
Rated flywheel power	13.7 kW (18.4 HP)
SAE J1349, net	at 2 200 min ⁻¹ (rpm)
Maximum torque	62.2 Nm (6.35 kgf/m)
	at 1 700 min ⁻¹ (rpm)
Piston displacement	1.131 l
Bore and stroke	77 mm x 81 mm
Battery	1 x 12 V, 36 Ah

Hydraulic system

The Optimum Hydraulic System (OHS) uses three pumps for job efficiency and smooth combined operations.

Main pumps	Two variable displacement axial piston pumps
Maximum oil flow	2 x 26.4 l/min
Third pump	One gear pump
Maximum oil flow	14.3 l/min
Pilot pump	One gear pump
Maximum oil flow	5.9 l/min

RELIEF VALVE SETTINGS

Implement circuit	20.6 MPa (210 kgf/cm ²)
Swing circuit	18.6 MPa (190 kgf/cm ²)
Travel circuit	20.6 MPa (210 kgf/cm ²)
Pilot circuit	3.9 MPa (40 kgf/cm ²)

HYDRAULIC CYLINDERS

High-strength piston rods and tubes. Cylinder cushion mechanisms provided in boom raise circuit to absorb shocks at stroke ends.

DIMENSIONS

	No.	Bore	Rod dia.	Stroke
Boom	1	70 mm	40 mm	547 mm
Arm	1	65 mm	35 mm	505 mm
Bucket	1	60 mm	35 mm	440 mm
Boom swing	1	75 mm	40 mm	438 mm
Blade	1	75 mm	40 mm	150 mm

Controls

Hydraulic pilot control levers for boom, arm, bucket, swing and travel. Mechanical linkage control levers for boom swing, blade and hydraulic PTO.

Swing mechanism

High-torque, axial piston motor with planetary reduction gear. Swing circle is single-row, shear-type ball bearing with induction-hardened internal gear. Internal gear and pinion are immersed in lubricant. Swing parking brake is spring-set/hydraulic-released disc type. Swing shockless valve built in swing motor absorbs shocks when stopping swing, ensuring smooth stops.
Swing speed 9.2 min⁻¹ (9.2 rpm)

Undercarriage

TRACKS

Tractor-type undercarriage. Welded track frame using carefully selected materials.

NUMBERS OF ROLLERS ON EACH SIDE

Upper guide plate	2
Lower rollers	3

TRACTION DEVICE

Each track driven by a high-torque, 2-speed axial piston motor through planetary reduction gear, allowing counter-rotation of the tracks.

Travel speeds (rubber shoes)	High: 0 - 4.1 km/h Low: 0 - 2.2 km/h
Travel speeds (grouser shoes)	High: 0 - 4.1 km/h Low: 0 - 2.2 km/h
Gradeability	30° (58%) continuous

Weights and ground pressure

Equipped with 1.10 m arm and 0.066 m³ (PCSA heaped) bucket.

	Operating weight	Ground pressure
4-Pillar canopy version		
250 mm rubber shoes	2 450 kg	32 kPa (0.33 kgf/cm ²)
250 mm grouser shoes	2 510 kg	32 kPa (0.33 kgf/cm ²)
Cabin version		
250 mm rubber shoes	2 520 kg	33 kPa (0.34 kgf/cm ²)
250 mm grouser shoes	2 580 kg	34 kPa (0.35 kgf/cm ²)

Front-end attachments

BACKHOE BUCKETS

ISO 7451 capacity	Width		No. of teeth	Weight	Use	
	Without side cutters	With side cutters			1.10 m Short arm	1.41 m Long arm
0.04 m ³	260 mm	300 mm	2	41 kg	A	A
0.045 m ³	310 mm	350 mm	3	44 kg	A	A
0.066 m ³	420 mm	460 mm	3	49 kg	A	B
0.085 m ³	510 mm	550 mm	4	56 kg	B	C
Arm crowd force					12.4 kN (1 270 kgf)	10.6 kN (1 080 kgf)
Bucket digging force					22 kN (2 240 kgf)	

A: General digging B: Light-duty digging C: Loading

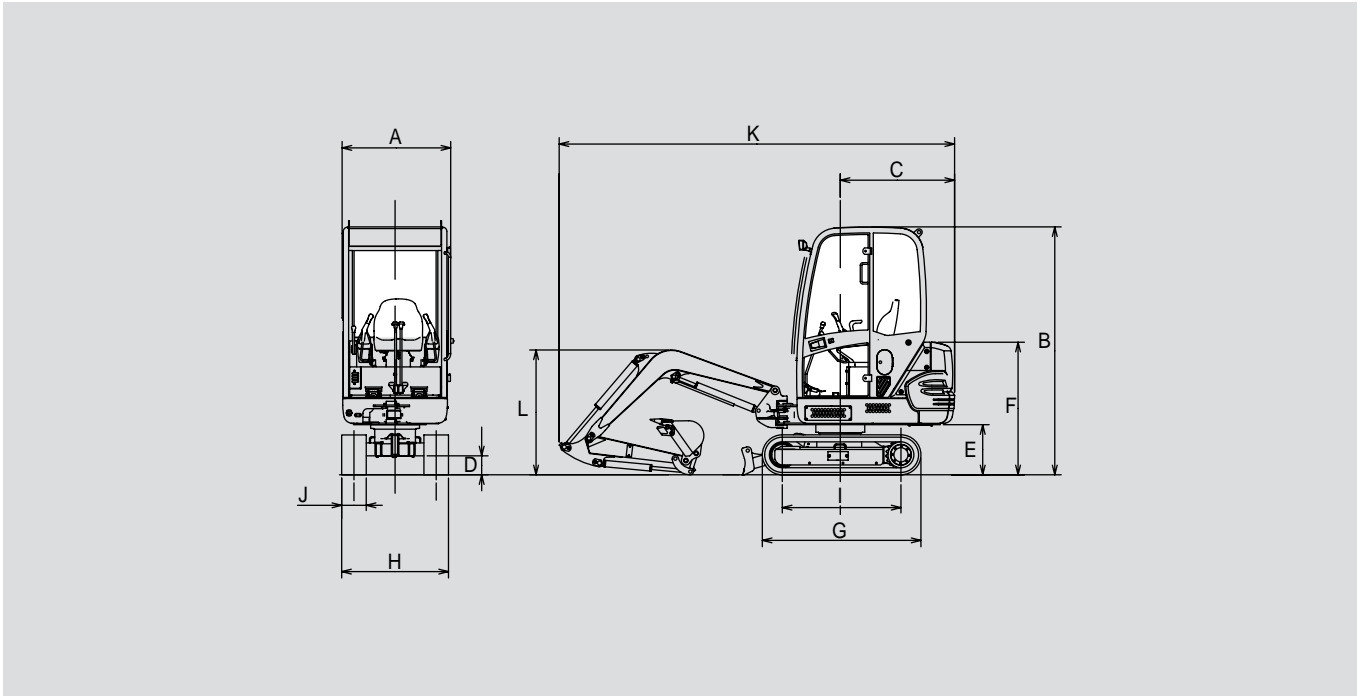
Boom swing angle Left 80°, Right 50°

Dimensions

Unit: mm

The 4-pillar canopy or cabin can be mounted on the upper structure according to job needs and applicable regulations.

The 4-pillar canopy and cabin conform to TOPS (ISO 12117) and FOPS (ISO 10262, Level I) requirements.



Notes:

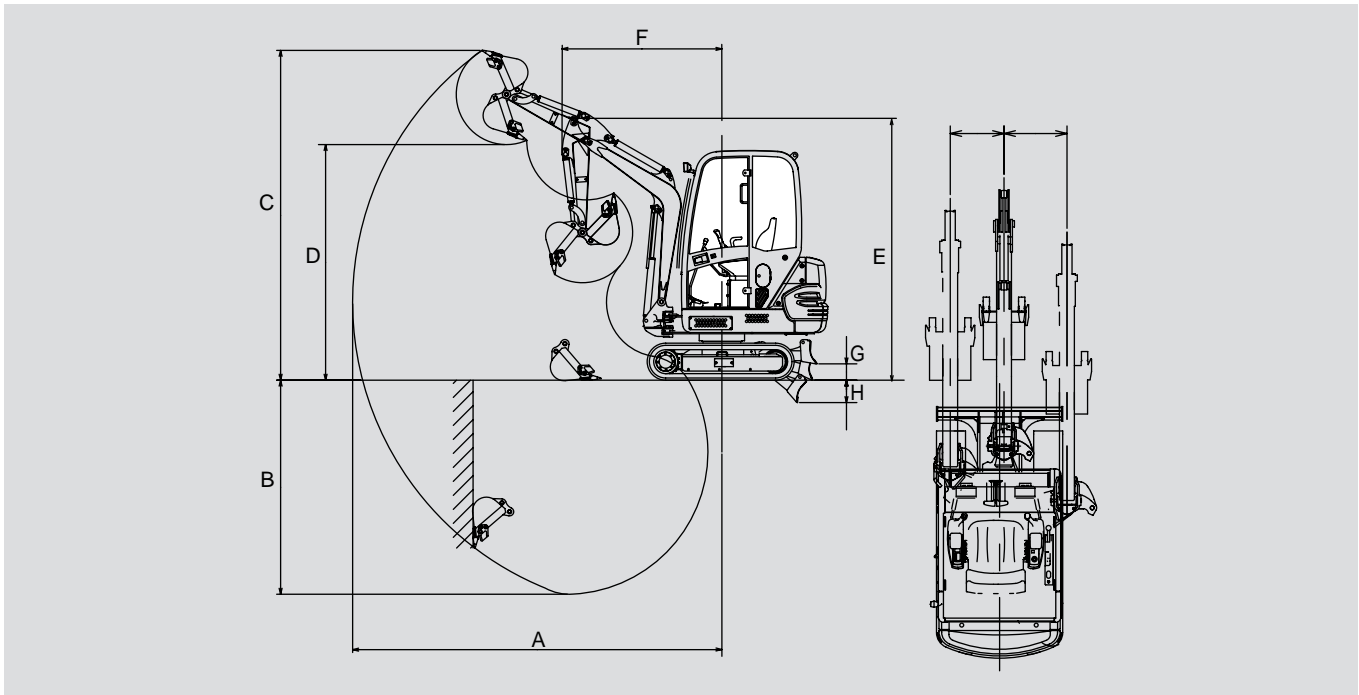
1. The illustration shows the cabin version equipped with 250 mm rubber shoes.
2. Values are identical for cabin and canopy versions.

Unit: mm

	ZAXIS25
A Overall width	1 350
B Canopy / Cabin height	2 390
C Rear-end swing radius	1 240
D Minimum ground clearance	325
E Counterweight clearance	540
F Engine cover height	1 310
G Undercarriage length	1 790
H Undercarriage width	1 400
I Sprocket centre to idler centre	1 350
J Track shoe width	250
K Maximum transport length	4 250
L Overall height of boom	1 300

Working ranges

Unit: mm



Notes:

1. The illustration shows the cabin version equipped with 0.066 m³ bucket, 1.1 m arm and 250 mm rubber shoes.
2. Values are identical for cabin and canopy versions.

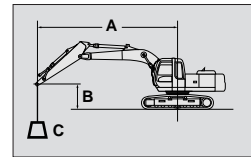
Unit: mm

	ZAXIS25	
	Canopy & Cabin	
	1.10 m arm	1.41 m arm
A Maximum digging reach	4 370	4 650
B Maximum digging depth	2 440	2 740
C Maximum cutting height	4 140	4 300
D Maximum dumping height	2 950	3 120
E Transport height	3 260	3 270
F Minimum swing radius	1 700	1 750
G Blade bottom highest position (above ground level)	390	390
H Blade bottom lowest position (below ground level)	355	355
Maximum boom-swing angle	L80° / R50°	L80° / R50°
Offset distance	L620 / R480	L620 / R480

LIFTING CAPACITIES

Metric measure

(Equipped with cabin)



A: Load radius
B: Load point height
C: Lifting capacity

ZAXIS25 WITH BLADE ABOVE GROUND



Rating over-side or 360 degrees



Rating over-front

Unit: kN

Conditions	Load point height	Load radius						At max. reach		
		2 m		3 m		4 m		meter		
		hook	360°	hook	360°	hook	360°			
Arm 1.10 m	2 m			4.57	3.94			2.69	2.28	4.09
Bucket 0.066 m ³	1 m			4.31	3.69	2.70	2.29	2.50	2.12	4.20
Rubber shoes 250 mm	0 m	7.64	6.42	4.09	3.47			2.69	2.28	3.97
	-1 m	7.71	6.48	4.06	3.44			3.61	3.07	3.29

ZAXIS25 WITH BLADE ON GROUND

Unit: kN

Conditions	Load point height	Load radius						At max. reach		
		2 m		3 m		4 m		meter		
		hook	360°	hook	360°	hook	360°			
Arm 1.10 m	2 m			*5.01	3.94			*4.61	2.28	4.09
Bucket 0.066 m ³	1 m			*6.62	3.69	*5.02	2.29	*4.81	2.12	4.20
Rubber shoes 250 mm	0 m	*9.36	6.42	*7.67	3.47			*4.97	2.28	3.97
	-1 m	*11.22	6.48	*6.88	3.44			*4.82	3.07	3.29

ZAXIS25 WITH BLADE ABOVE GROUND

Unit: kN

Conditions	Load point height	Load radius						At max. reach		
		2 m		3 m		4 m		meter		
		hook	360°	hook	360°	hook	360°			
Arm 1.41 m	2 m			*4.20	3.99	3.39	2.36	2.93	2.02	4.38
Bucket 0.045 m ³	1 m			5.22	3.72	3.30	2.28	2.76	1.87	4.47
Rubber shoes 250 mm	0 m	9.14	6.38	4.95	3.45	3.21	2.19	2.92	1.98	4.26
	-1 m	9.11	6.35	4.86	3.36			3.67	2.53	3.67

ZAXIS25 WITH BLADE ON GROUND

Unit: kN

Conditions	Load point height	Load radius						At max. reach		
		2 m		3 m		4 m		meter		
		hook	360°	hook	360°	hook	360°			
Arm 1.41 m	2 m			*4.20	3.99	*4.27	2.36	*4.11	2.02	4.38
Bucket 0.045 m ³	1 m			*5.95	3.72	*4.67	2.28	*4.31	1.87	4.47
Rubber shoes 250 mm	0 m	*10.53	6.38	*7.43	3.45	*5.05	2.19	*4.54	1.98	4.26
	-1 m	*12.53	6.35	*7.29	3.36			*4.62	2.53	3.67

- Notes:
1. Ratings are based on ISO 10567.
 2. Lifting capacity does not exceed 75% of tipping load with the machine on firm, level ground or 87% full hydraulic capacity.
 3. The load point is a hook (not standard equipment) located on the back of the bucket.
 4. An asterisk mark (*) indicates load limited by hydraulic capacity.
 5. 0 m = Ground.

Standard Equipment

Standard equipment may vary by country, so please consult your Hitachi dealer for details.

ENGINE

- Water-separator for engine fuel system

HYDRAULIC SYSTEM

- Hydraulic pilot type control levers for boom, arm, bucket, swing and travel
- Mechanical linkage type control levers for boom swing, blade and hydraulic PTO

- Pilot control shut-off levers for boom, arm, bucket, swing and travel
- Two-speed travel system
- Swing parking brake
- Hydraulic piping for breaker

CANOPY (CABIN)

- One work lamp
- Heater*
- Windshield wiper*
- Windshield washer*

- Windshield defroster*
- Evacuation hammer*
- Seat belt
- Wrist rest
- 12 V outlet

Note: * For Cabin version

UNDERCARRIAGE

- 250 mm rubber shoes
- Semi-long stay blade

FRONT ATTACHMENTS

- 2.10 m boom
- 1.10 m arm
- 0.066 m³ hoe bucket
- O-ring type pin-seals for hoe bucket
- HN bushing

Optional Equipment

Optional equipment may vary by country, so please consult your Hitachi dealer for details.

CANOPY (CABIN)

- One work lamp

UNDERCARRIAGE

- 250 mm grouser shoes

FRONT ATTACHMENTS

- 1.41 m arm

Hitachi Construction Machinery (Europe) NV

Souvereinstraat 16, 4903 RH Oosterhout, P.O. Box 404, 4900 AK Oosterhout, The Netherlands
T +31-(0)162 48 44 00, F +31-(0)162 45 74 53, www.hcme.com

Siciliëweg 5, Haven 5112, 1045 AT Amsterdam, P.O. Box 59239, 1040 KE Amsterdam, The Netherlands
T +31-(0)20 44 76 700, F +31-(0)20 33 44 045, www.hcme.com



**Breaking
new
ground**

HITACHI